

ASSEMBLY & INSTALLATION INSTRUCTIONS: LEWISTON MAILBOX COLLECTION

READ ALL INSTRUCTIONS PRIOR TO ASSEMBLY AND INSTALLATION.

Important Note:

Customers are required to contact their local post office before installing the mailbox to ensure its correct placement and height at the street. As a general rule, most mailboxes are installed at a height of 41" to 45" from the top of the street surface to the bottom of the mailbox and 8" set back from front edge of curb. These measurements can vary per your local postal requirements, so check with your local post office before installation. (see Diagram A)

Assembly:

Attach scroll support brace to round pole using 2 bolts provided. Attach mailbox to top of support brace using either 4 or 5 bolts as provided. If you ordered the standard economy mailbox, the support brace attaches to the wood platform under the mailbox with the 4 large wood screws provided. Snug bolts firmly, but do not over-tighten them. If a finial (or solar light) is not attached to the round pole, slide it over the top of the pole and snug set screws against the pole with an Allen wrench. Slide the decorative base onto the bottom of the round pole, but keep it low on the pole and do not tighten yet. Get a measuring tape and measure the distance from the bottom of the mailbox to the bottom of the decorative base. Gently slide the base up the pole (without scratching the pole) until you have the correct measurement for your local USPS code requirement. This measurement will typically be between 36" to 42", which will leave around 12" to 16" of round pole extending below the decorative base. This extension is what you will put into the hole and pour concrete around. Once you have the correct decorative base adjustment, snug the Allen set screw(s) at the top of the base so the base will not slide up or down.

Installation:

Dig a hole approximately 16" deep (this will vary due to local postal codes) with post hole digger or small shovel. Install completely assembled post into hole and check for fit. Mix quick set style concrete and pack it in around the post in the hole. Place a spirit level on the round pole and level the mailbox post front to back and side to side. Some temporary supports may be necessary until the concrete dries.

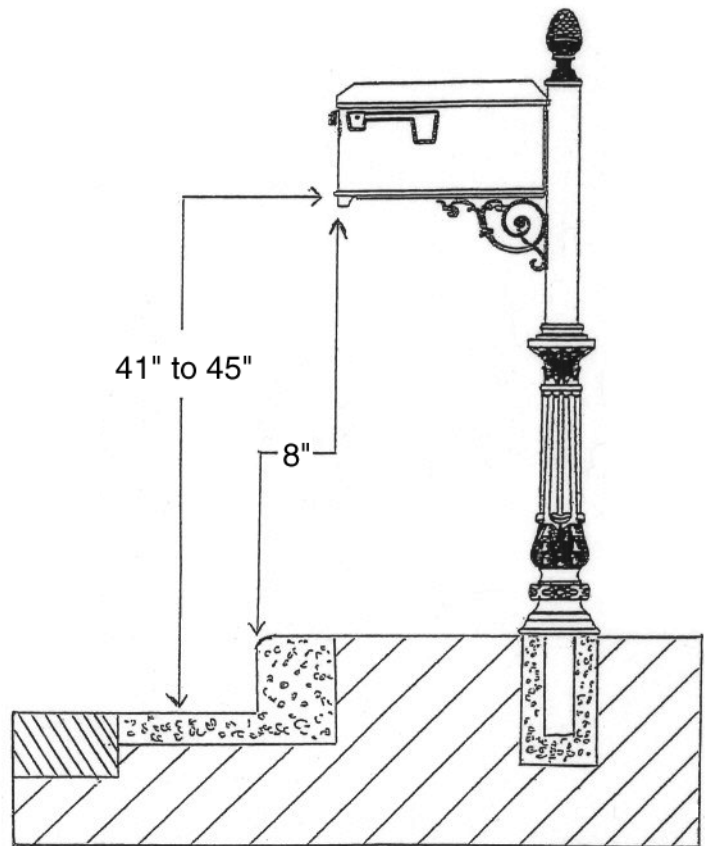


Diagram A

QualArc
11300 Trade Center Dr., Ste. A
Rancho Cordova, CA 95742
916-273-1576
Fax 916-635-0228
www.qualarc.com

